



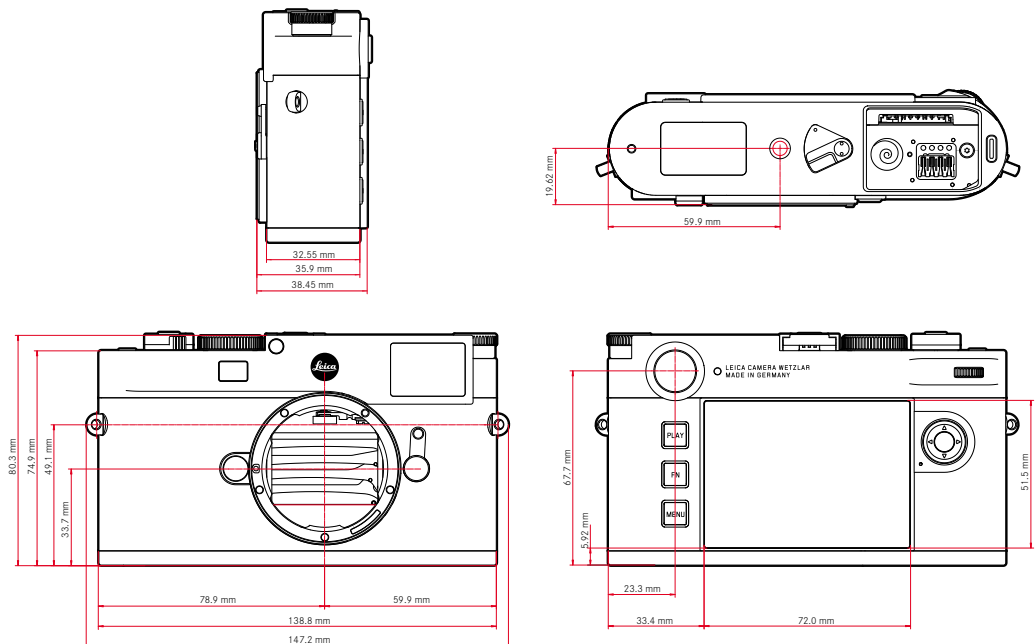
LEICA M11

Technical Data.



Designation	Leica M11
Camera type	Digital system camera with rangefinder
Type no.	2416
Order No.	Black: 20 200 (EU/US/CN), 20 202 (JP), 20 206 (ROW) Silver: 20 201 (EU/US/CN), 20 203 (JP), 20 207 (ROW)
Buffer memory	3 GB DNG™: 15 recordings JPG: > 100 recordings
Storage medium	UHS-II (recommended), UHS-I, SD/SDHC/SDXC memory card (SDXC cards up to 2 TB, internal memory 64 GB)
Material	Black: full-metal housing made of magnesium and aluminum, leatherette cover Silver: full-metal housing made of magnesium and brass, leatherette cover
Lens mount	Leica M bayonet with additional sensor for 6-bit encoding
Operating conditions	+0 to +40°C
Interfaces	ISO accessory shoe with additional control contacts for Leica flash units and Leica Visoflex 2 viewfinder (optional accessory), USB 3.1 Gen1 Typ-C
Tripod thread	A 1/4 DIN 4503 (1/4") with stainless steel in the base

Dimensions



Weight	Black: approx. 530 g/455 g (with/without battery) Silver: approx. 640 g/565 g (with/without battery)
---------------	---



LEICA M11

Sensor

Sensor size CMOS sensor, pixel pitch: 3.76 µm, 35 mm: 9528 x 6328 pixels (60.3 MP)

Processor Leica Maestro series (Maestro III)

Filter RGB color filter, UV/IR filter, no low-pass filter

File formats DNG™ (raw data, loss-free compression), DNG + JPG, JPG (DCF, Exif 2.30)

Image resolution	DNG™	L-DNG	60.3 MP	9528 x 6328 pixels
		M-DNG	36.5 MP	7416 x 4928 pixels
	S-DNG	18.4 MP	5272 x 3498 pixels	
JPG	L-JPG	60.1 MP	9504 x 6320 pixels	
	M-JPG	36.2 MP	7392 x 4896 pixels	
	S-JPG	18.2 MP	5248 x 3472 pixels	

The entire sensor surface will always be used irrespective of format and resolution.
Digital Zoom 1.3x and 1.8x available (always based on L-DNG or L-JPG)

File size	DNG™	L-DNG	approx. 70–120 MB
		M-DNG	approx. 40–70 MB
	S-DNG	approx. 20–40 MB	
JPG	L-JPG	approx. 15–30 MB	
	M-JPG	approx. 9–18 MB	
	S-JPG	approx. 5–9 MB	

JPG: depending on resolution and image content

Color depth DNG™: 14 bit, JPG: 8 bit

Color space sRGB

Viewfinder/LCD panel

Viewfinder Large, bright-line rangefinder with automatic parallax compensation, suitable for -0.5 dpt; optional corrective lenses available: -3 to +3 dpt

Display Four-digit digital display with items show on the top and bottom, Image field limiter: two lit frames: 35 mm + 135 mm, 28 mm + 90 mm, 50 mm + 75 mm (automatic switchover when lens is attached)

Parallax compensation The horizontal and vertical difference between viewfinder and lens is compensated automatically in line with the relevant focus setting. Congruence of viewfinder and actual image. The size of the bright-line frame matches the distance:
- at 2 m: the exact sensor size of approx. 23.9 x 35.8 mm
- at infinity: (depending on focal length) approx. 7.3% (28 mm) to 18% (135 mm)
- less than 2 m: less than sensor size

Viewfinder magnification x0.73 (all lenses)

Large-base rangefinder Split or superimposed image rangefinder shown as a bright field at the center of the viewfinder image

LCD panel 2.95" (Active Matrix TFT), Gorilla Glass 5 cover glass, 2332 800 dots, format 3:2, touch control available

Shutter

Shutter type Electronically controlled focal plane shutter and electronic shutter function

Shutter speeds Mech. shutter: 60 min to 1/4000 s
Electro. shutter function: 60 s to 1/16000 s
Flash Synch: up to 1/180 s
Optional noise reduction via additional "black picture" (can be disabled)

Shutter button Two-stage
(1st stage: activation of the camera electronics including exposure metering and metering memory lock, 2nd stage: taking the picture)

Self-timer Delay time: 2 s or 12 s

Drive Mode [Single](#)
[Continuous - Low Speed](#) (3 fps)
[Continuous - High Speed](#) (4.5 fps)
[Interval Shooting](#)
[Exposure Bracketing](#)



LEICA M11

Focusing

Focus range	70 cm to ∞
Focus mode	Manual (focus assist functions Magnification and Focus Peaking available)

Exposure

Exposure metering	TTL (exposure metering through the lens), with working aperture
Metering principle	Exposure metering is done by the image sensor for all exposure metering methods (in Live View mode and in rangefinder mode)
Exposure metering methods	Spot, Center-Weighted, Multi-Field
Exposure modes	Aperture priority mode (A): Automatic shutter speed control with manual aperture preselection Manual (M): manual setting for shutter speed and aperture
Exposure compensation	±3 EV in 1/3 EV increments
Automatic bracketing	3 or 5 shots, graduations between shoots up to 3 EV, in 1/3 EV increments, additional optional exposure compensation: up to ±3 EV
ISO sensitivity range	Auto ISO: ISO 64 (native) to ISO 50 000, also available in flash mode Manual: ISO 64 to ISO 50,000
White balance	Automatic (Auto), Default (Daylight - 5200 K, Cloudy - 6100 K, Shadow - 6600 K, Tungsten - 2950 K, HMI - 5700 K, Fluorescent (warm) - 3650 K, Fluorescent (cool) - 5800 K, Flash - 6600 K), manual metering (Gray card), manual color temperature setting (Color Temperature, 2000 K to 11,500 K)

Flash

Flash unit connector	Via the accessory shoe
Metering principle	Flash exposure metering is done by the image sensor for all exposure metering methods (in Live View mode and in rangefinder mode)
Flash sync time	⚡ : 1/180 s, slower shutter speeds available, automatic switchover to TTL linear flash mode with HSS-compatible Leica system flash units if sync time is undercut
Flash exposure metering	Using center-weighted TTL pre-flash metering with Leica flash units (SF 26, SF 40, SF 58, SF 60, SF 64) or with system-compatible flash units, remote controlled flash SF C1
Flash exposure compensation	SF 40: ±2 EV in 1/2 EV increments SF 60: ±2 EV in 1/3 EV increments Other: ±3 EV in 1/3 EV increments
Displays in flash mode (in the viewfinder only)	Flash icon: Connection of an external flash unit

Equipment

WLAN The Leica FOTOS app is required to use the WLAN function. The Leica app is available from the Apple App Store™ or the Google Play Store™. 2.4 GHz/5 GHz* dual band IEEE802.11 a/b/g/n/ac Wave2 WLAN (standard WLAN protocol), encryption method: WLAN-kompatible WPA™/WPA2™, access method: infrastructure mode

	Regional Variant		
	EU/US/CN	JP	ROW
Wi-Fi 5 GHz*	11a/n/ac: channel 149-165 (5745-5825 MHz)	11a/n/ac: channel 36-48 (5180-5240 MHz)	-
Wi-Fi 2.4 GHz	11b/g/n: channel 1-11 (2412-2462 MHz)		

Bluetooth*	Bluetooth v4.2 BR/EDR/LE, BR/DR-channel 1-79, LE-channel 0-39 (2402-2480 MHz)
GPS*	Geotagging via Leica FOTOS app using Bluetooth
Menu languages	English, German, French, Italian, Spanish, Russian, Japanese, Simplified Chinese, Traditional Chinese, Korean, Portuguese



LEICA M11

Power supply

Rechargeable battery (Leica BP-SCL7)	Li-Ion (Lithium-Polymer) rechargeable battery, rated voltage: 7.4 V / capacity: 1800 mAh, Charging voltage/current: DC 1000 mA, 7.4 V, operating conditions: +10°C to +35°C (charging) / +0°C to +40°C (discharged), manufacturer: Fuji Electronics (Shenzhen) Co., Ltd. made in China
	Approx. 700 shots (in accordance with CIPA Standard in rangefinder mode), up to approx. 1700 shots (Leica adapted shooting cycle)
Charger (Leica BC-SCL7)	Input: USB-C DC 5 V, 2 A, output: DC 8.4 V, 1 A, operating conditions: +10°C to +35°C, manufacturer: Dee Van Enterprises Co., Ltd., made in China
Power pack (Leica ACA-SCL7)	Input: AC 110 V - 240 V ~ 50/60 Hz, 0.3 A, output: DC 5 V, 2 A, operating conditions: +10°C to +35°C, manufacturer: Dee Van Enterprises Co., Ltd., made in China
USB Power supply	When in standby mode or Off: USB charging function When On: USB power supply and intermittent charging

* Available after Firmware Update during second half of 2022