



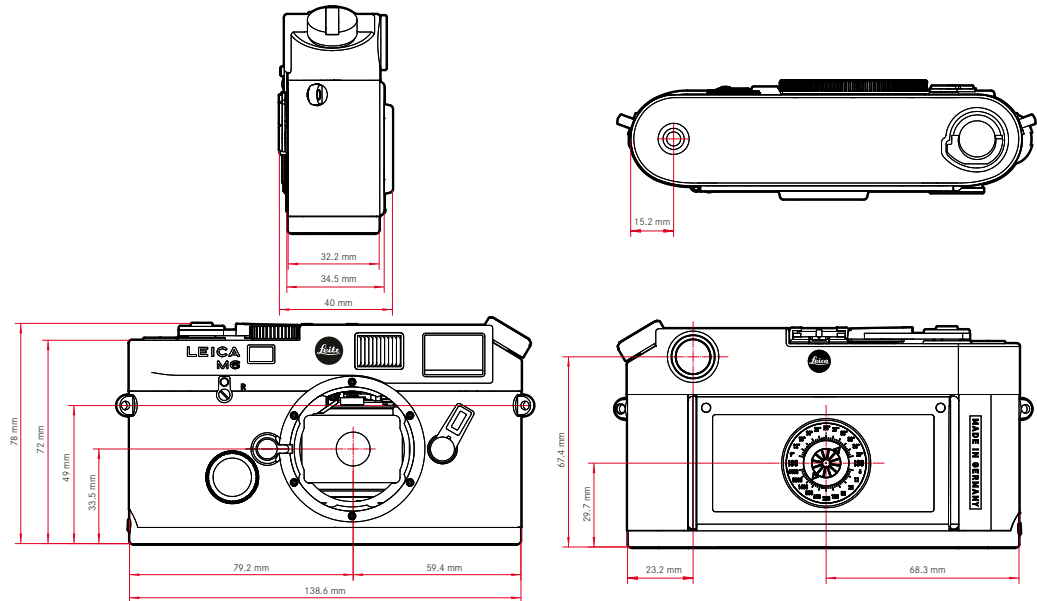
# LEICA M6

## Technical Data.



|                      |  |
|----------------------|--|
| <b>Designation</b>   | <b>Leica M6</b>  |
| Camera type          | Analogue rangefinder system camera (35 mm)                                 |
| Type No.             | 2248   |
| Order No.            | Black: 10 557  |
| Material             | Closed full metal housing, Top cover and bottom cover: brass, black finish |
| Lens mount           | Leica M bayonet  |
| Operating conditions | 0°C to +40°C   |
| Interfaces           | ISO accessory shoe   |
| Tripod thread        | A 1/4 DIN 4503 (1/4") with stainless steel in the base                     |

### Dimensions



|               |                                |
|---------------|--------------------------------|
| <b>Weight</b> | <b>575 g (without battery)</b> |
|---------------|--------------------------------|



# LEICA M6

|                          |  |
|--------------------------|--|
| <b>Viewfinder</b>        | Large, bright-line rangefinder with automatic parallax compensation  |
| Parallax compensation    | The horizontal and vertical difference between viewfinder and lens is compensated automatically in line with the relevant focus setting. Congruence of viewfinder and actual image. The size of the bright-line frame matches the distance: <ul style="list-style-type: none"><li>- at 2 m: the exact sensor size of approx. 23.9 x 35.8 mm</li><li>- at infinity: (depending on focal length) approx. 7.3% (28 mm) to 18% (135 mm)</li><li>- less than 2 m: less than film size</li></ul> |
| Viewfinder magnification | x0.73 (all lenses)   |
| Wide- base rangefinder   | Split and superimposed image rangefinder shown as a bright field in the center of the viewfinder image.  |
| <b>Shutter</b>           |  |
| Shutter type             | Focal plane shutter with rubber liner, mechanically controlled   |
| Shutter speeds           | Mech. shutter: 1 s - 1/1000 s<br>Flash Synch: up to 1/50 s   |
| Shutter release          | Two-stage: Power up (activation of exposure meter) - Release. Integrated standard cable release thread.  |
| <b>Film winding</b>      |  |
| Loading                  | Manual with quick wind lever or LEICAVIT M, motorized with LEICA MOTOR-M, LEICA WINDER-M, LEICA WINDER   |
| Rewinding                | Manual with telescopic rewind knob   |
| Frame counter            | On top of camera. Automatic reset after removal of bottom cover.   |
| <b>Focusing</b>          |  |
| Working range            | 70 cm to $\infty$  |
| Focus mode               | Manual   |
| <b>Exposure</b>          |  |
| Exposure metering        | TTL (exposure metering through the lens), with working aperture  |
| Metering cell            | Silicon photo diode with convex lens to the top left behind the camera bayonet.  |
| Film speed range         | Manual setting from ISO 6/9° to ISO 6400/39°.  |
| Metering principle       | The light reflected by a metering spot in the center of the 1st shutter curtain is metered. The metering spot has a diameter of 12mm and therefore corresponds to approx. 13% of the full negative format or around 2/3 of the short side of the corresponding frame in the viewfinder.  |
| Exposure control mode    | Manual shutter speed and aperture setting, adjustment using LED light balance.   |
| <b>Flash</b>             |  |
| Flash unit connection    | Via accessory shoe   |
| Synchronisation          | On the 1st shutter curtain   |
| Flash sync speed         | ⚡: 1/50s; slower shutter speeds possible.  |
| Flash exposure control   | Via computer control of flash unit or via guide number calculation and manual setting for the required aperture.   |
| <b>Power Supply</b>      | 2 Silver oxide button cells (PX76/SR44) or 1 Lithium battery (DL1/3N)  |